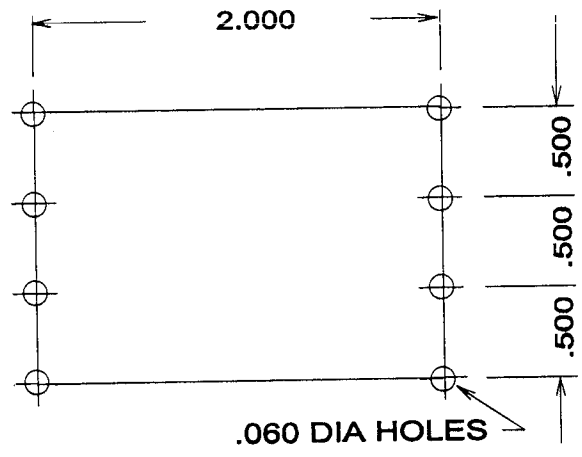
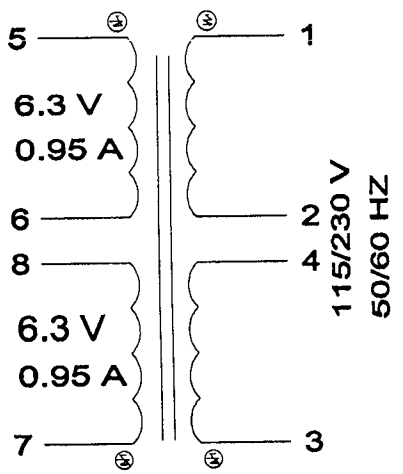
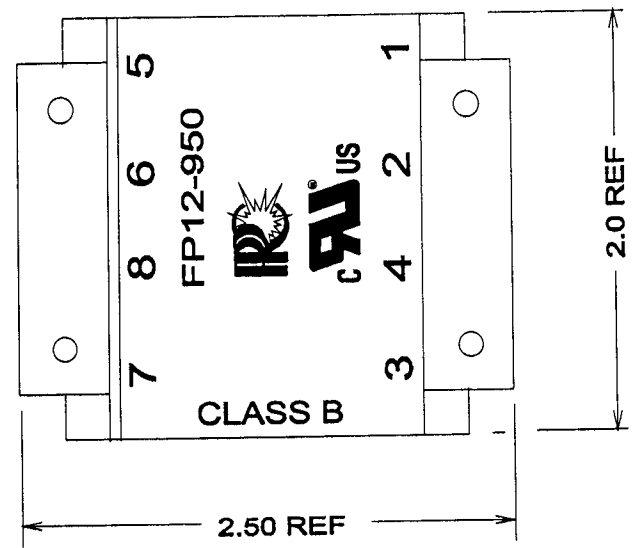
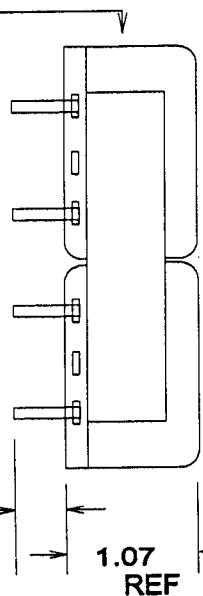


TOLERANCE UNLESS SPECIFIED = .XXX= +/- .005 .XX= +/- .015 FRACTIONS= +/- .032

PRODUCTION TESTS

FP12-950.DC2

EIA-17-YVWW
XXX B10



Turns Ratio = 100%

DC RESISTANCE IN OHMS NOM	1-2 = 114 TO 140
	3-4 = 114 TO 140
	5-6 = 0.5 TO 0.62
	7-8 = 0.5 TO 0.62

MAX EXCITATION CURRENT = 22 MA
 APPLY = 230V, 60 HZ, 1-4, TIE 2+3
 EACH PRI = 114.5 TO 115.5 V
 EACH SEC = 7.2 TO 7.7 V

HIPOT = 2000V PRI'S TO SEC'S
 1500V PRI'S, SEC'S TO CORE
 500V P-P, S-S

IMPREGNATION NOTES = PREHEAT 2 HRS
 PINS TO BE FREE OF EPOXY

FINAL ASSEMBLY NOTES

METHOD 1 X 1

MARKING PRINTED WRAPPER
 DATE CODE ON LABEL AS SHOWN ABOVE.

 PART NO.: FP12-950